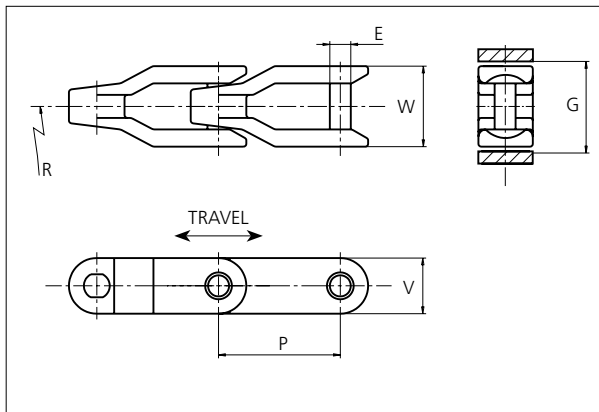




uni Flex Plastic Chain

Series **uni 2600** Type **O**



uni Flex Chains
 Side flexing chain
 Pitch: 63.5 mm (2.50 in)
 Backflex radius: 75.0 mm (3.00 in)
 Permissible tensile strength:
 POM material: 6000 N (1349 lbf)

 Delivery: 6.1 m (20.0 ft)
 No. of links/box: 96

STANDARD

| E | | G | | P | | V | |
|------|------|------|------|------|------|------|------|
| mm | in | mm | in | mm | in | mm | in |
| 11.0 | 0.43 | 44.5 | 1.75 | 63.5 | 2.50 | 28.4 | 1.12 |

All dimensions are for chains in POM material.

| Width (W) | | Material & color | Pin material | Weight | | Min. radius (R) | |
|-----------|------|----------------------------------|--------------|--------|-------|-----------------|-------|
| mm | in | | | kg/m | lb/ft | mm | in |
| 42.0 | 1.65 | POM-D W G B | SS304 | 1.3 | 0.87 | 600 | 23.62 |

Non standard material and color: See uni Material and Color Overview.
 Non standard pin material: See uni Material and Color Overview.

SIDE FLEXING

PITCH 63.5 MM/2.50 IN

Sprocket

| No of teeth | Pitch diameter | | Overall-diameter | | Min. ø bore | | Max. ø bore | | Hub-diameter | | A-dimension | | B-dimension | | Molded PA66 LG | Molded Cast iron | Machined SS304 |
|-------------|----------------|------|------------------|------|-------------|------|-------------|------|--------------|------|-------------|------|-------------|------|----------------|------------------|----------------|
| | mm | in | mm | in | mm | in | mm | in | mm | in | mm | in | mm | in | | | |
| Z6 | 127.0 | 5.00 | 128.0 | 5.04 | 20.0 | 0.79 | 40.0 | 1.57 | 63.0 | 2.48 | 40.8 | 1.61 | 78.1 | 3.07 | x | x | |
| Z8 | 165.9 | 6.53 | 168.9 | 6.65 | 20.0 | 0.79 | 50.0 | 1.97 | 73.5 | 2.89 | 62.5 | 2.46 | 97.5 | 3.84 | x | x | x |
| Z10 | 205.5 | 8.09 | 210.5 | 8.29 | 20.0 | 0.79 | 50.0 | 1.97 | 73.5 | 2.89 | 83.5 | 3.29 | 117.2 | 4.61 | x | x | |
| Z11 | 225.4 | 8.87 | 231.4 | 9.11 | 20.0 | 0.79 | 50.0 | 1.97 | 73.5 | 2.89 | 93.9 | 3.70 | 127.1 | 5.00 | x | x | |

Non standard material and color:
See uni Material and Color Overview.

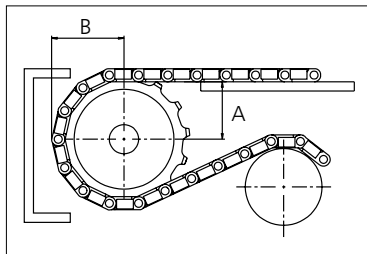
Machined sprocket



Cast iron sprocket



SS304 sprocket



Please ensure that sufficient size shaft and keyway are chosen for corresponding load.

Other sprocket sizes are available upon request

Width of tooth: 11.0 mm/0.43 in

Width of sprocket: 42.3 mm/1.66 in

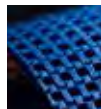
uni Retainer Rings: See uni Retainer Ring data sheet



Conveyor Belts



Seamless Belts



Modular Belts



Timing Belts



Transmission Belts



Fabrication & service

Expert advice, quality solutions and local service for all your belting needs
www.ammeraalbeltech.com

Ammeraal Beltech Modular A/S
Hjulmagervej 21
DK-7100 Vejle

T +45 7572 3100
F +45 7572 3348
admin@unichains.com
www.unichains.com

This information is subject to alteration due to continuous development. Ammeraal Beltech will not be held liable for the incorrect use of the above stated information. This information replaces previous information. All activities performed and services rendered by Ammeraal Beltech are subject to general terms and conditions of sale and delivery, as applied by its operating companies.