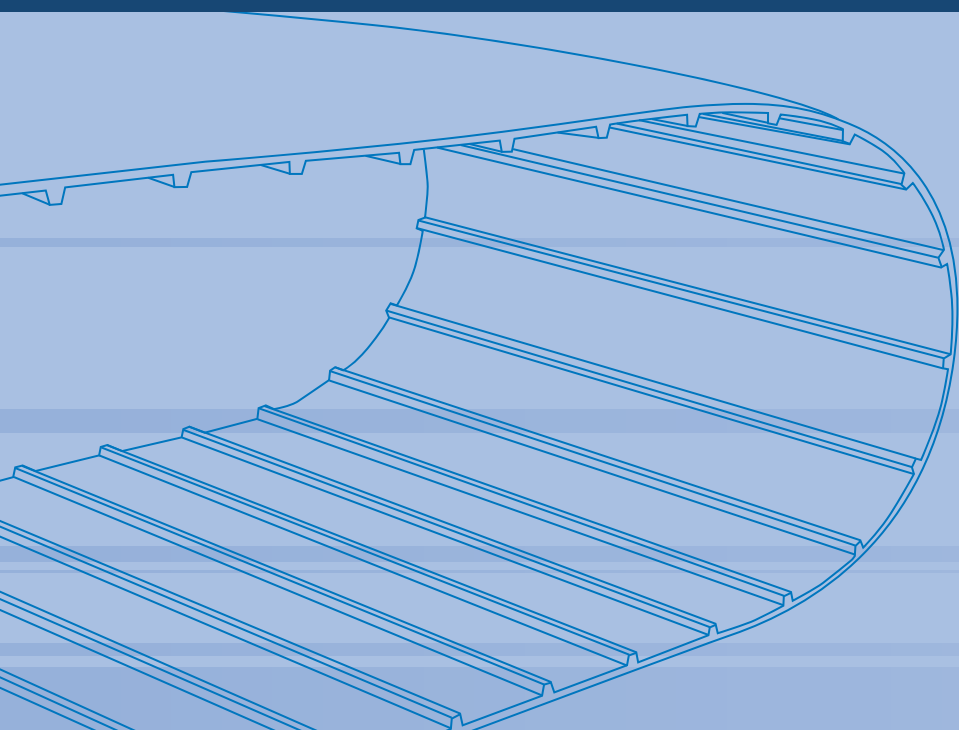
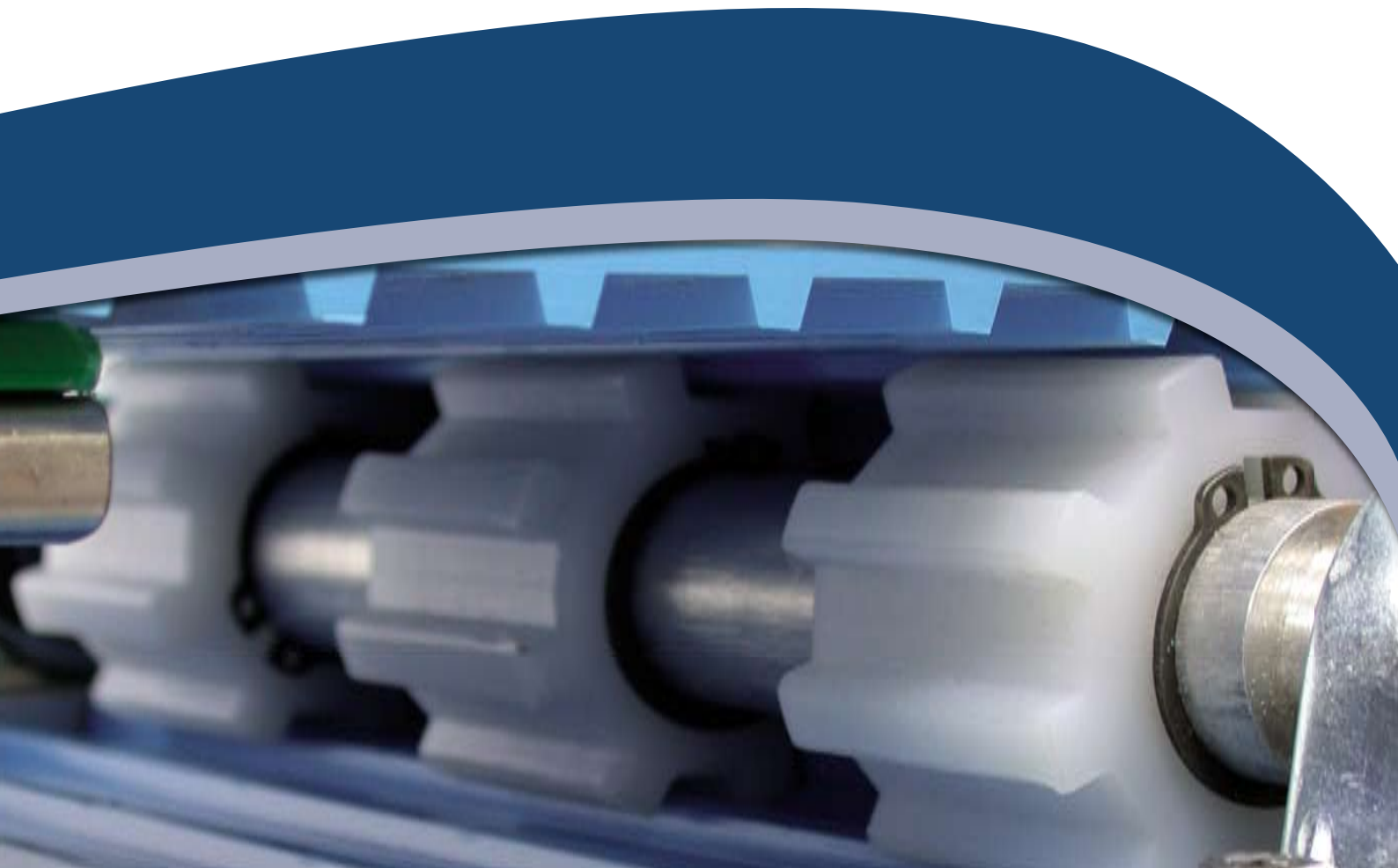




Positive Drive

# DualDrive SP™



The Next Step in Belting

# DualDrive SP™

DualDrive SP™ has the same characteristics as the DualDrive™ and SuperDrive™ belt lines with an added advantage: DualDrive SP™ works with a smaller pulley that provides a positive drive to small pulley applications.

## Why Choose DualDrive SP™?

- Works with a small pulley - 50mm diameter (minimum)
- Requires a lighter conveyor construction
- Tight transfer of end-product between conveyors
- Reduces overall conveying costs

## Hygienic and Easy to Clean

- Smooth surface on both sides prevents bacterial build-up
- No seams or factory splicing
- Low costs in sanitation and water treatment
- Shorter cleaning shifts - extended production time
- USDA/ FDA/ 3A-Dairy Certified

## Positive-Drive Features

- Integral teeth drive the belt
- Minimum noise levels - no modular components or joints
- Minimal tensioning of the belt is required
- Prevents slippage and belt elongation
- Low belt maintenance



DualDrive™ SP pulley: 50 mm diameter (8 teeth)

DualDrive SP™ is designed to work with our unique smaller pulley diameters: 51.1 mm diameter (8 teeth), 64.5 mm diameter (10 teeth) and 91.3 mm diameter (14 teeth). The belt is extruded in 30 m lengths and may be cut down to size.

For maximum performance, we recommend Volta supplied pulleys. These pulleys are designed for the DualDrive SP™ belt only and are made of high quality materials.

	<b>FMB-2.5 DD-SP</b>
<b>Description</b>	Flat, homogeneous belt, M family
<b>Thickness</b>	2.5 mm/ 0.98 in.
<b>Pulley Diameter (O.D)</b>	51.1 mm/ 2.01 in. (Z8), 64.5 mm / 2.54 in. (Z10), 91.3 mm/ 3.59 in. (Z14)
<b>Color</b>	blue
<b>Temp Range</b>	-20° to 60° C / -5° to 140° F
<b>Food Approvals</b>	<b>FDA/ USDA/3A Dairy</b>

**Note:** Other dimensions are available - please consult your local Volta distributor.

▶▶▶ Volta takes the positive-drive conveyor belts one step further



VOLTA Belting Technology Ltd. • Ammeraal Beltech Inc.

### MAIN OFFICE

Tel: +972 4 995 1333  
Fax: +972 4 995 1366

### USA

Tel: +1 973 276 7905  
Fax: +1 973 276 7908  
Toll Free: 1-877-VOLTAUS

### EUROPE

Tel: +31 33 495 1800  
Fax: +31 33 495 1812

### Ammeraal Beltech Inc.

Tel: 847-673-6720  
Fax: 847-673-6373  
Toll Free: 800-428-7735

[www.ammeraal-beltechusa.com](http://www.ammeraal-beltechusa.com) • e-mail: [info@ammeraalbeltechusa.com](mailto:info@ammeraalbeltechusa.com)