

**NEW**

## New RAPPLON® QuickSplice Boxfolding belts



The QuickSplice Boxfolding belts for high speed Folder-Gluers are now available.

- 54636 RAPPLON® GG E10.30 RRQ
- 54637 RAPPLON® GG E10.40 RRQ
- 54638 RAPPLON® GG E10.55 RRQ

Unique benefits for a guaranteed success:

- QuickSplice joining within 6 minutes
- Up to 25% energy saving
- Highly flexible
- High edge stability
- Dimensional stability
- Long service life
- Low noise

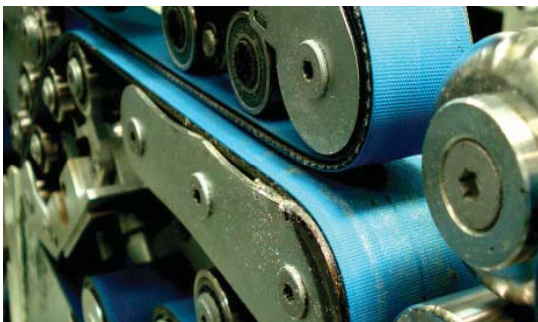


# New RAPPLON® QuickSplice Boxfolding belts Upgrade of high speed Folder-Gluers



Ammeraal Beltech's new RAPPLON® QuickSplice Boxfolding belts comply with the latest demand of the packaging industry.

Our new generation of Folder-Gluer belts supports our customers goal to reach **maximal high speed folding** and **versatility** on die-cut boxes. Speeds over 600 meters per minute have become a benchmark in modern plants and only highly **reliable Boxfolding belts** can be considered.



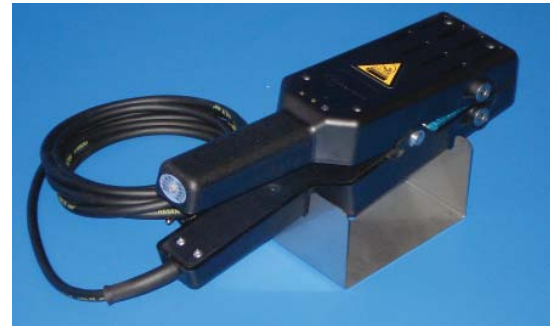
### Edge stability

Folder gluer belts often run in guide rails between flanges. This requires **wear resistant belt edges** to avoid edge fraying. Our new RAPPLON® QuickSplice Boxfolding belts proved **highest resistance** compared to any other finger jointed belt.



### Flexibility

The high amount of flexings, twists and small pulley diameters are **mastered at best** by our new belting series.

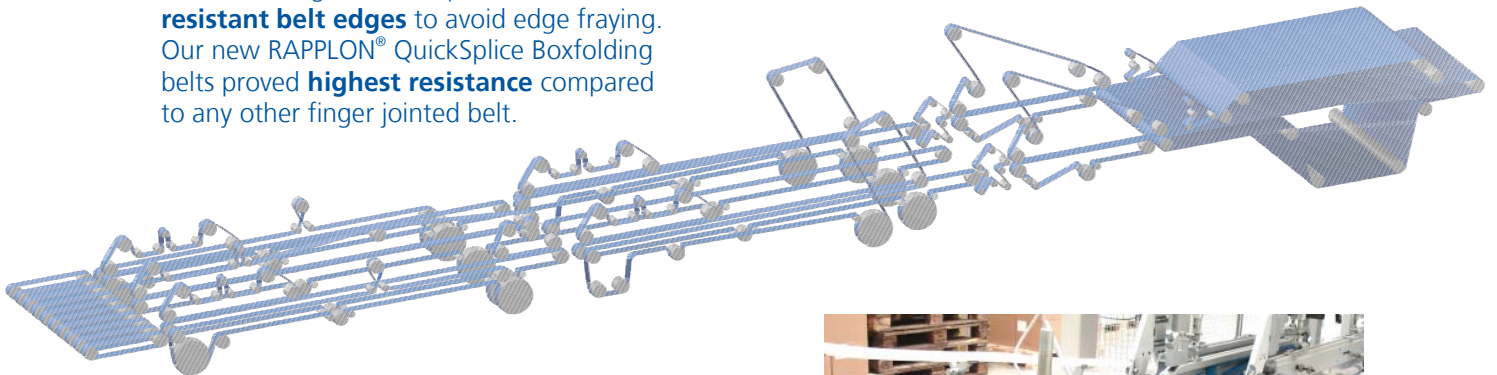


### QuickSplice

The **state-of-the-art belt design** facilitates the splicing and the fitting of the belts. **No specific running direction to be observed, easy and reliable joining without use of any adhesives, perfect alignment** are just a few of the benefits. Thanks to our **modern and slim tools** the maintenance staff replaces belts within 6 minutes.

### Long Service Life

High quality XNBR covers ensure **excellent grip to paper, high abrasion resistance** and **longest lifetime without glazing**.



### Energy saving

The high amount of twists and flexings over small pulleys generates heat resulting in waste of energy. Our new belts have proved **energy savings up to 40%** compared to competitor belts.

# New RAPPLON® QuickSplice Boxfolding belts

## Minimise downtime and maximise output

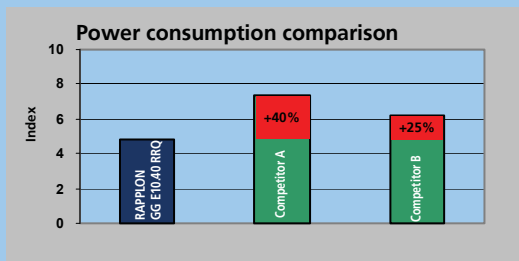
### Customer benefits

- » **Easy belt replacement within 6 minutes only**
  - › QuickSplice Joining System
- » **No running direction to be observed**
  - › QuickSplice Joining System
- » **Longer service life**
  - › Extremely efficient and wear resistant XNBR cover
- » **Reduction of energy costs and quiet running**
  - › Special belt design
- » **Improved dimensional stability and short take ups**
  - › Moisture insensitive PES tension member

## Comparison with competitor products

### Energy saving

Achieve important energy savings with our RAPPLON® QuickSplice Boxfolding belts



Only finger spliceable belts with thickness of 4 mm have been compared. Test made under identical circumstances with belt width of 20 mm.

	RAPPLON GG E10.40 RRQ	Competitor A	Competitor B
K1% in N/mm	10	8	9.5
Heating time 35 mm width	2 min 45 sec	12 min	12 min
Cooling time 35 mm width	2 min 45 sec	10 min	10 min
Total splicing time	5 min 30 sec	22 min	22 min
Yarn fraying	No	No	Yes



The new RAPPLON® belts are easy to install and don't need to be re-tensioned. They track perfectly and run extremely quiet without edge fraying. The joining procedure takes 4 times less than before which helps to minimise down times and maximise output

# Your global contact

International Head Office:

**Ammeraal Beltech** Holding B.V.  
Handelsstraat 1  
P.O. Box 38  
1700 AA Heerhugowaard  
The Netherlands

T +31 72 5751212  
F +31 72 5716455  
info@ammeraalbeltech.com  
www.ammeraalbeltech.com

## **Austria**

T +43 1 2929372  
F +43 1 2928906  
info@ammeraalbeltech.at

## **Belgium**

T +32 2 466 0300  
F +32 2 466 4272  
salesgb@ammeraal-beltech.be

## **Brazil**

T +55 11 4655 1244  
F +55 11 4655 1099  
vendas@ammeraalbeltech.com.br

## **Canada**

T +1 905 890 1311  
F +1 905 890 3660  
info@ammeraalbeltech.ca

## **Chile**

T +56 266 96975  
F +56 266 96709  
info@ammeraalbeltech.cl

## **China**

T +86 21 6533 2222  
F +86 21 6548 0430  
webmaster@ammeraalbeltech.com.cn

## **Czech Republic**

T +420 56 7330 056  
F +420 56 7330 637  
prodej@ammeraalbeltech.cz

## **Finland**

T +358 207 91 1400  
F +358 207 91 1450  
info@ammeraalbeltech.fi

## **France**

T +33 3 20 90 36 00  
F +33 3 20 32 29 17  
client@ammeraalbeltech.fr

## **Germany**

T +49 4152 937-0  
F +49 4152 77695  
sales@ammeraal-beltech.de

## **Hungary**

T +36 234 275 10  
F +36 234 275 11  
info@ammeraalbeltech.hu

## **Italy**

T +39 051 660 60 06  
F +39 051 660 60 16  
info@ammeraalbeltech.it

## **Luxembourg**

T +352 26 48 38 56  
F +352 26 48 38 57  
sales@ammeraal-beltech.lu

## **Malaysia**

T +60 3 806 188 49  
F +60 3 806 189 35  
sales.kl@ammeraalbeltech.com.my

## **Netherlands**

T +31 72 57 51212  
F +31 72 57 43364  
info@ammeraalbeltech.nl

## **Portugal**

T +351 22 947 94 40  
F +351 22 941 30 81  
geral@ammeraalbeltech.pt

## **Singapore**

T +65 62739767  
F +65 62735490  
sales@ammeraalbeltech.com.sg

## **Slovakia**

T +421 2 55648541-2  
F +421 2 55648543  
predaj@ammeraalbeltech.sk

## **South Korea**

T +82 31 448 3613-7  
F +82 31 448 3618  
amel@ammeraalbeltech.co.kr

## **Spain**

T +34 93 718 3305  
F +34 93 718 6273  
ventas@ammeraalbeltech.es

## **Sweden**

T +46 44 43015  
F +46 44 43349  
info@ammeraal-beltech.se

## **Switzerland**

T +41 55 2253 535  
F +41 55 2253 636  
verkauf.schweiz@ammeraal-beltech.ch

## **Thailand**

T +66 2 902 2604-13  
F +66 2 902 0422  
sales@ammeraalbeltech.th.com

## **United Kingdom**

T +44 1992 500550  
F +44 1992 553010  
sales@ammeraalbeltech.co.uk

## **United States**

T +1 847 673 6720  
F +1 847 673 6373  
info@ammeraalbeltechusa.com