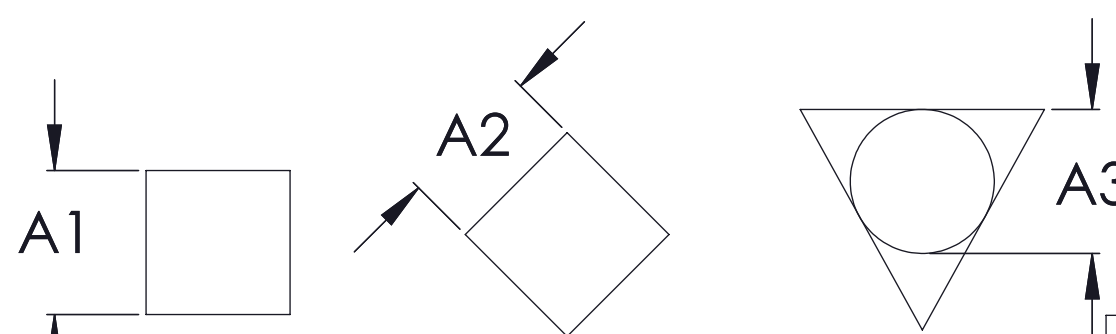
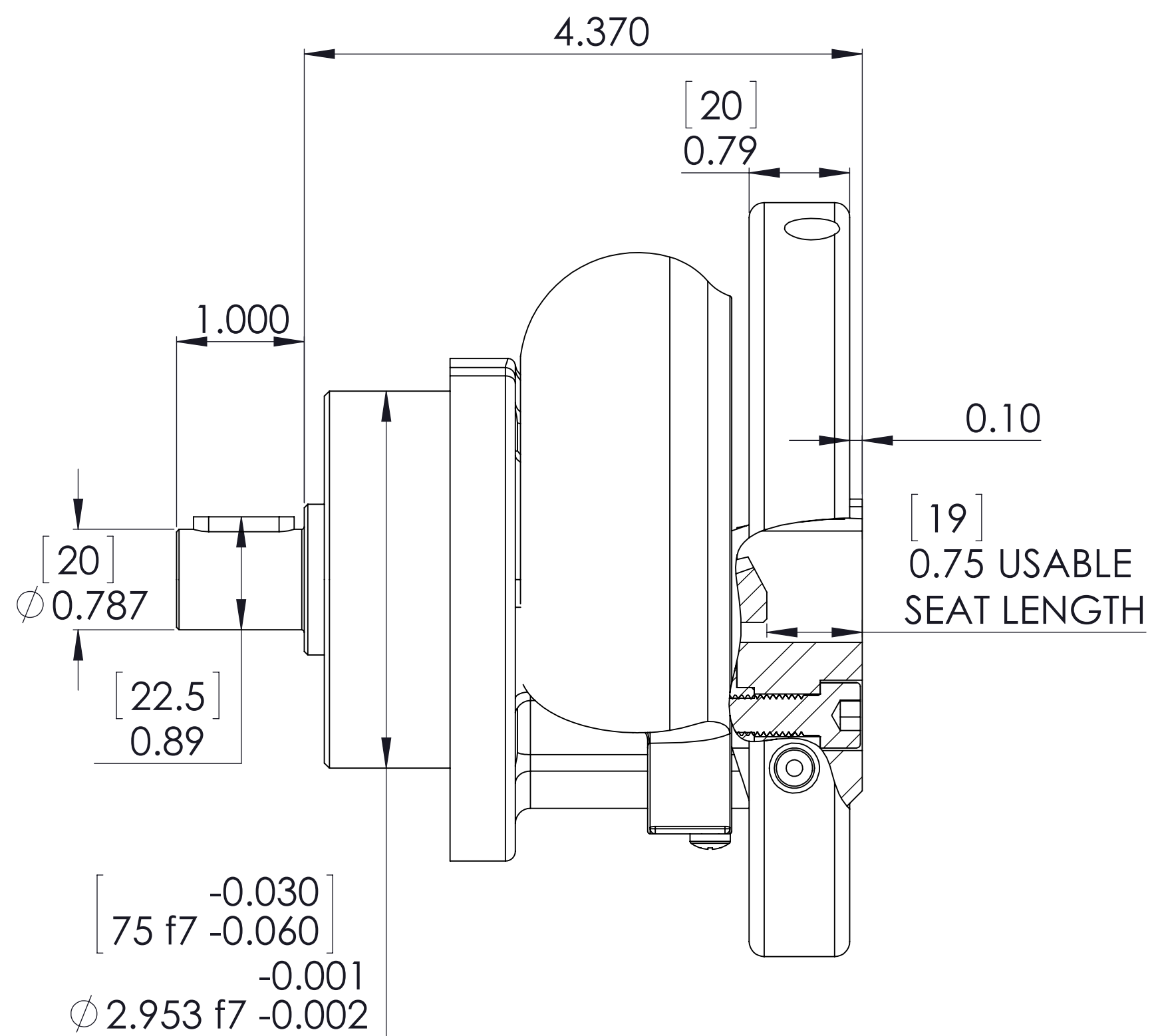
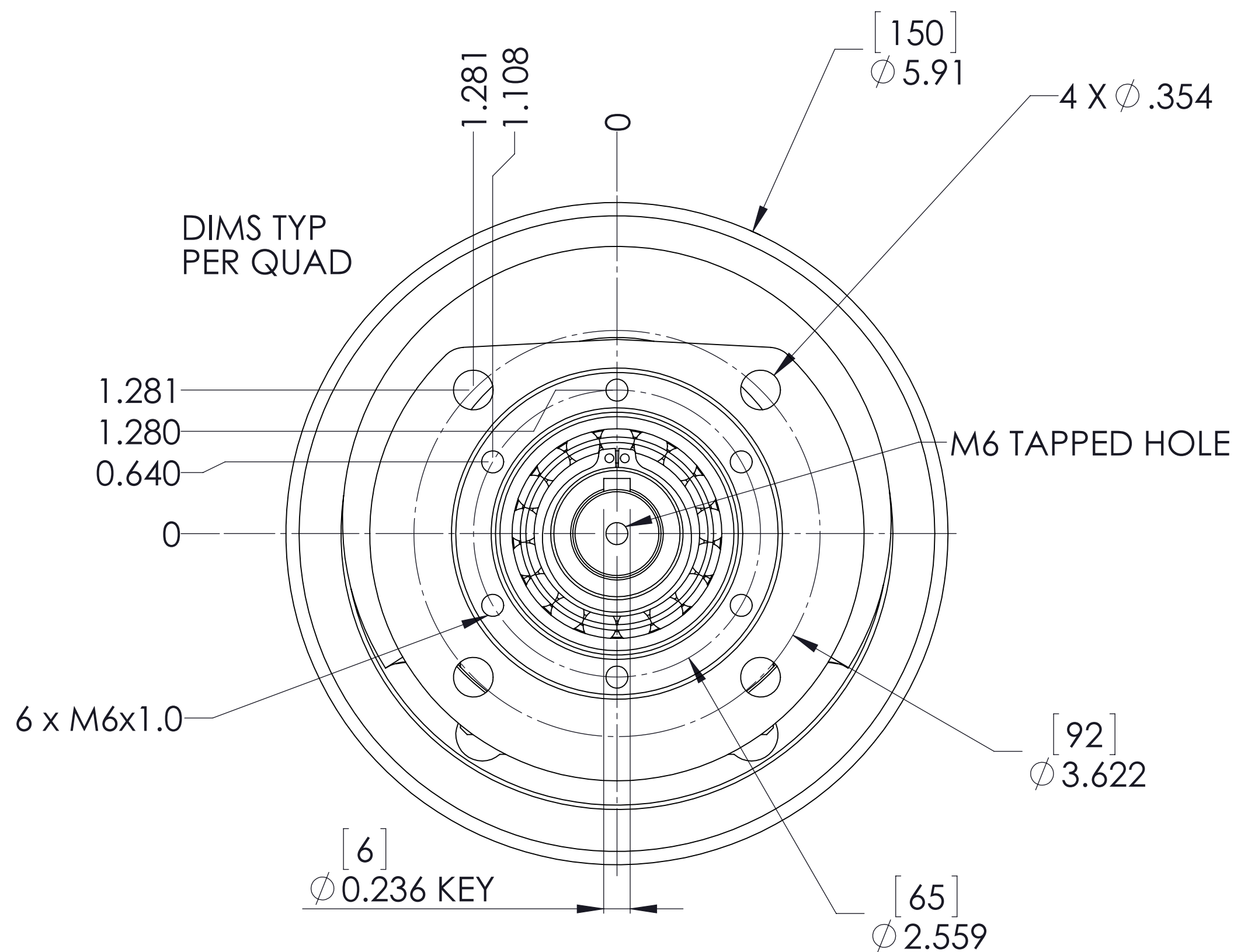


REVISIONS				
ZONE	REV.	DESCRIPTION	DATE	APPROVED
	-			



STANDARD JOURNAL SEAT TYPES						
A1	MIN	MAX	A2	MIN	MAX	A3
(IN)	.784	1	.784	1.00	1 1/8	.866
(mm)	19	25	19	25	28	22

PROPRIETARY AND CONFIDENTIAL
 © THE MONTALVO CORPORATION 2011
 ALL RIGHTS RESERVED. ANY USE OF THIS DRAWING OR THE INFORMATION CONTAINED HEREIN, FOR A PURPOSE OTHER THAN AS EXPRESSLY AUTHORIZED BY THE MONTALVO CORPORATION OR ITS SUBSIDIARY, DANABOROTA TECHNICAL ASSOCIATES IS EXPRESSLY PROHIBITED.

UOS: .00 = ± .01
 UOS: .000 = ± .005
 UOS: .0000 = ± .0005
 UOS: DRAFT ANGLE = 3°
 UOS: ANGULAR: = ± 1/2°
 UOS: FRACTIONAL: = ± 1/64
 UOS: FINISH = AS SHOWN

© 2011 **montalvo**
 Better Web Control®
 The Montalvo Corp. 50 Hutcherson Drive Gorham, ME 04038
 info@montalvo.com 1-800-266-8710

TITLE: KLO500-FN-BR ASSY DRAWING
 DRAWN BY: CAO
 CHK BY: GEL
 DATE: 6/8/2011
 SIZE: C
 Prt No. 99001305
 Dwg No. 99001305
 SCALE: NONE
 REV: -
 SHEET 1 OF 1