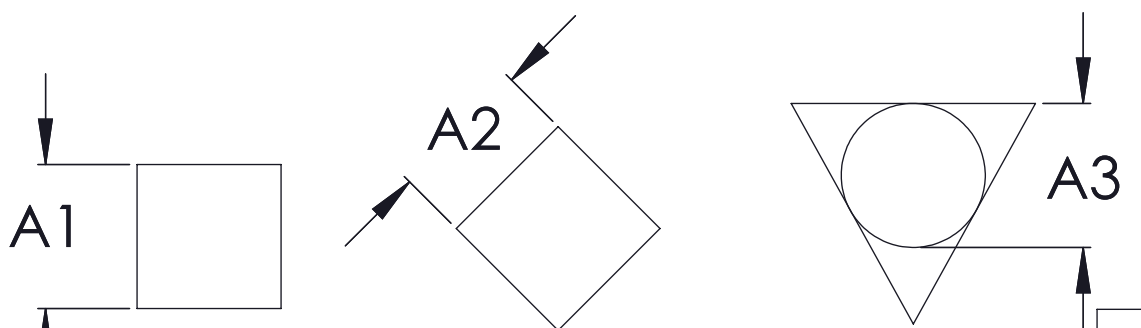
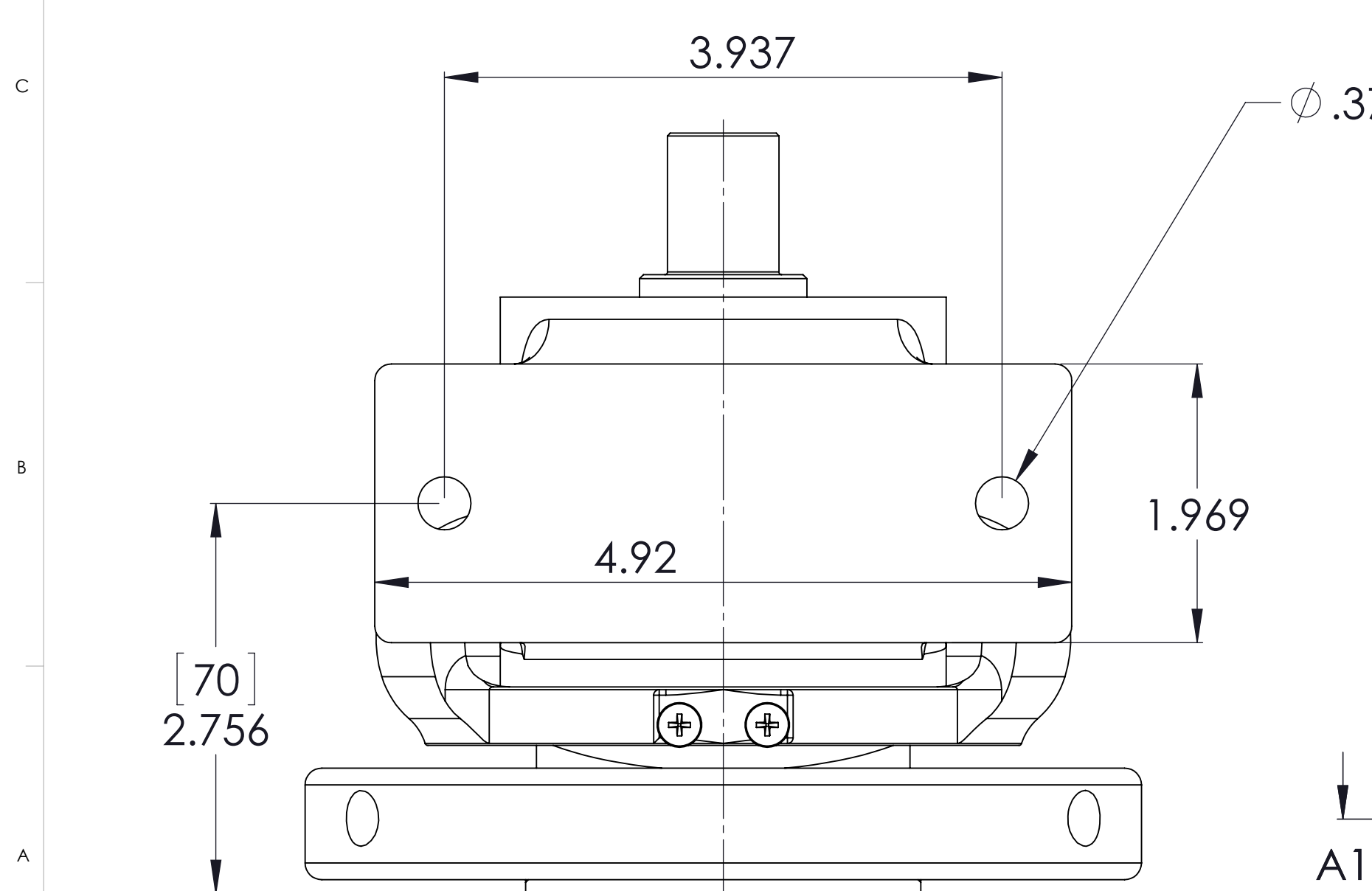
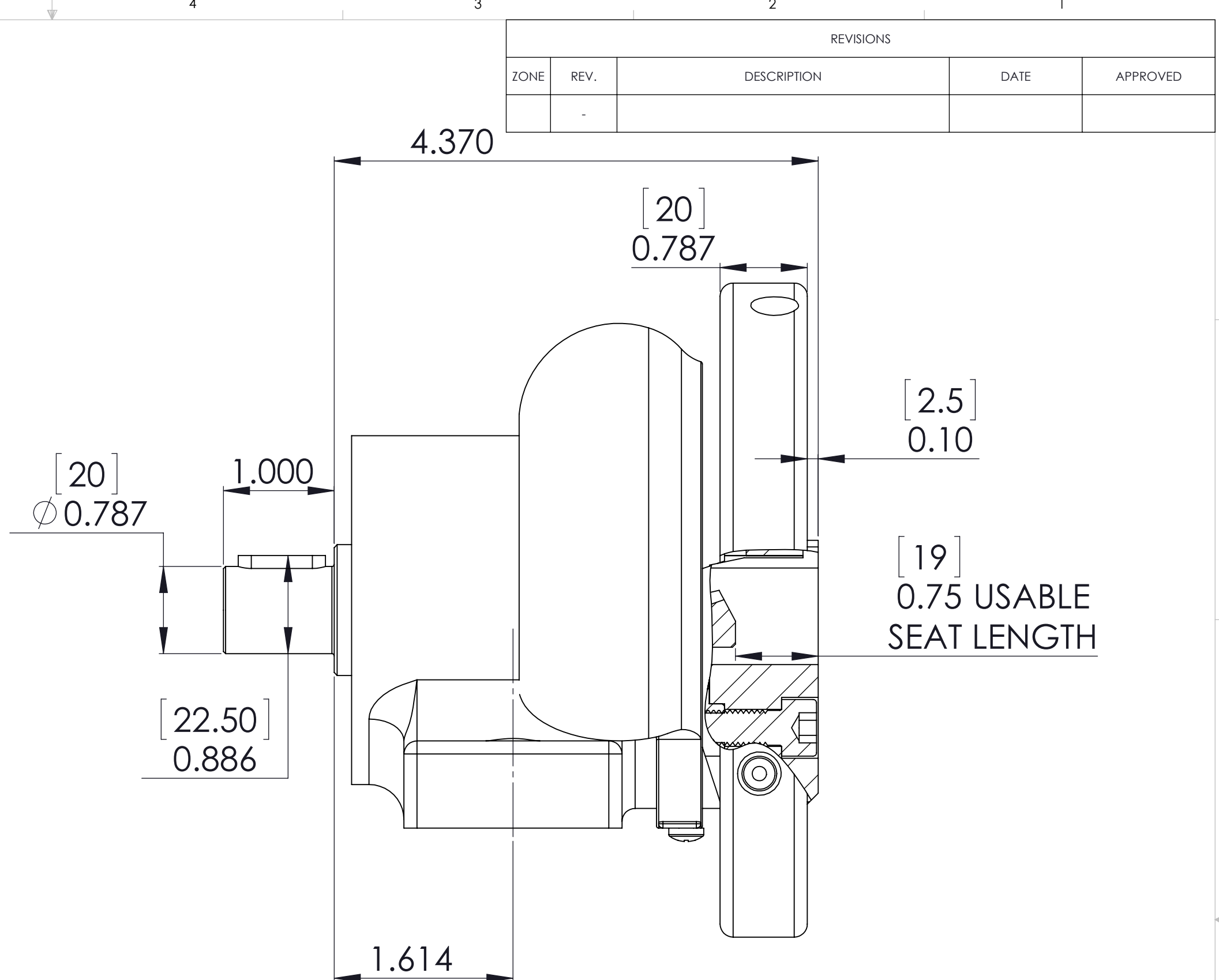
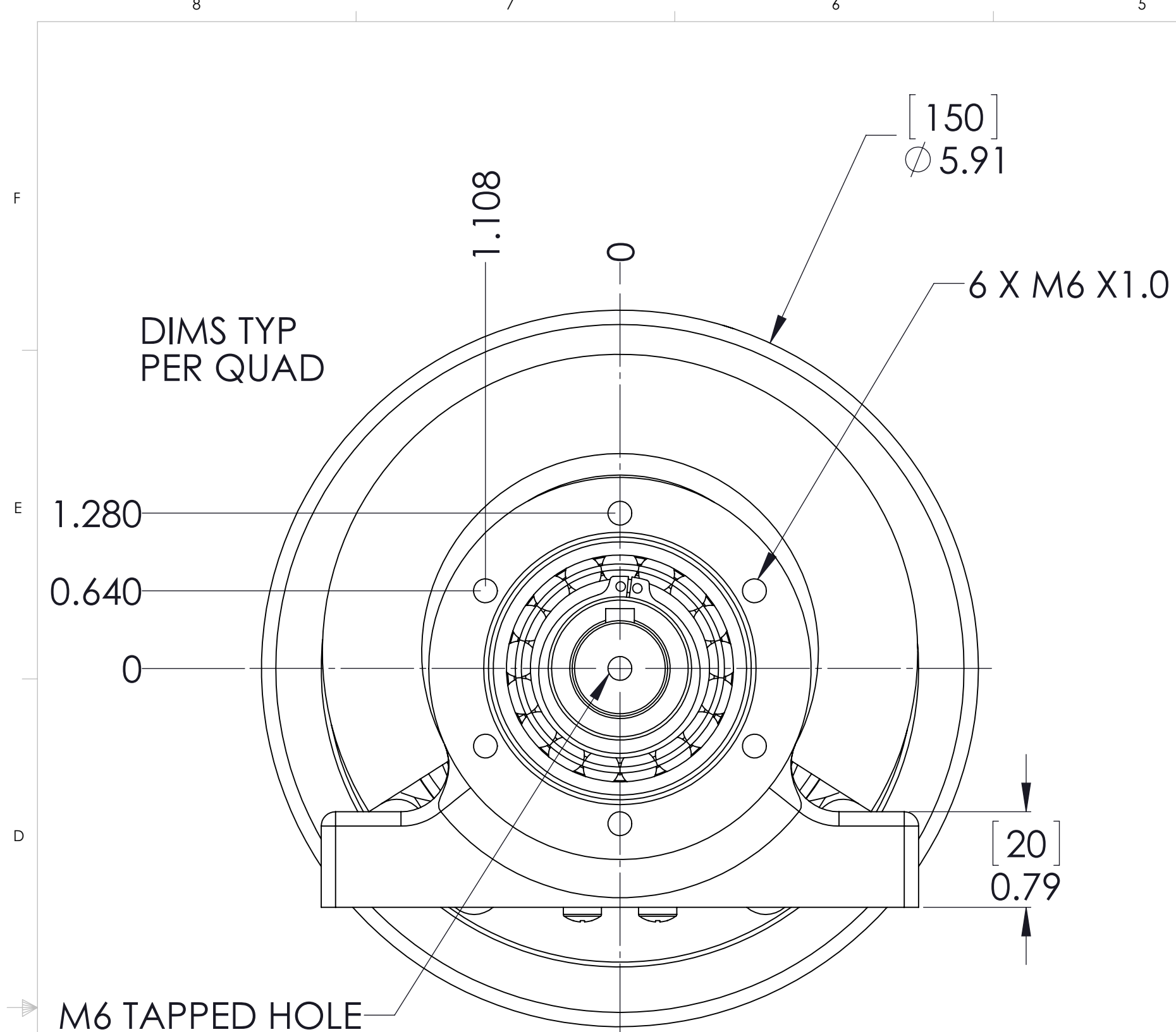


REVISIONS				
ZONE	REV.	DESCRIPTION	DATE	APPROVED
	-			



STANDARD JOURNAL SEAT TYPES						
A1	MIN	MAX	A2	MIN	MAX	A3
(IN)	.784	1.00	.784	.784	1.00	.866
(mm)	19	25	19	19	25	22

PROPRIETARY AND CONFIDENTIAL  
 © THE MONTALVO CORPORATION 2011  
 ALL RIGHTS RESERVED. ANY USE OF THIS DRAWING OR THE INFORMATION CONTAINED HEREIN, FOR A PURPOSE OTHER THAN AS EXPRESSLY AUTHORIZED BY THE MONTALVO CORPORATION OR ITS SUBSIDIARY, IS EXPRESSLY PROHIBITED.

UOS: .00 = ± .01  
 UOS: .000 = ± .005  
 UOS: .0000 = ± .0005  
 UOS: DRAFT ANGLE = 3°  
 UOS: ANGULAR: = ± 1/2°  
 UOS: FRACTIONAL: = ± 1/64  
 UOS: FINISH = AS SHOWN

© 2011 **montalvo**  
 Better Web Control®  
 The Montalvo Corp. 50 Hutcherson Drive Gorham, ME 04038  
 info@montalvo.com 1-800-266-8710

TITLE: KL0500-SN-BR ASSY DRAWING

DRAWN BY: CAO	SIZE: C	Prt No. 99001307	Dwg No. 99001307	REV: -
CHK BY: GEL	DATE: 6/8/2011	SCALE: NONE	SHEET 1 OF 2	