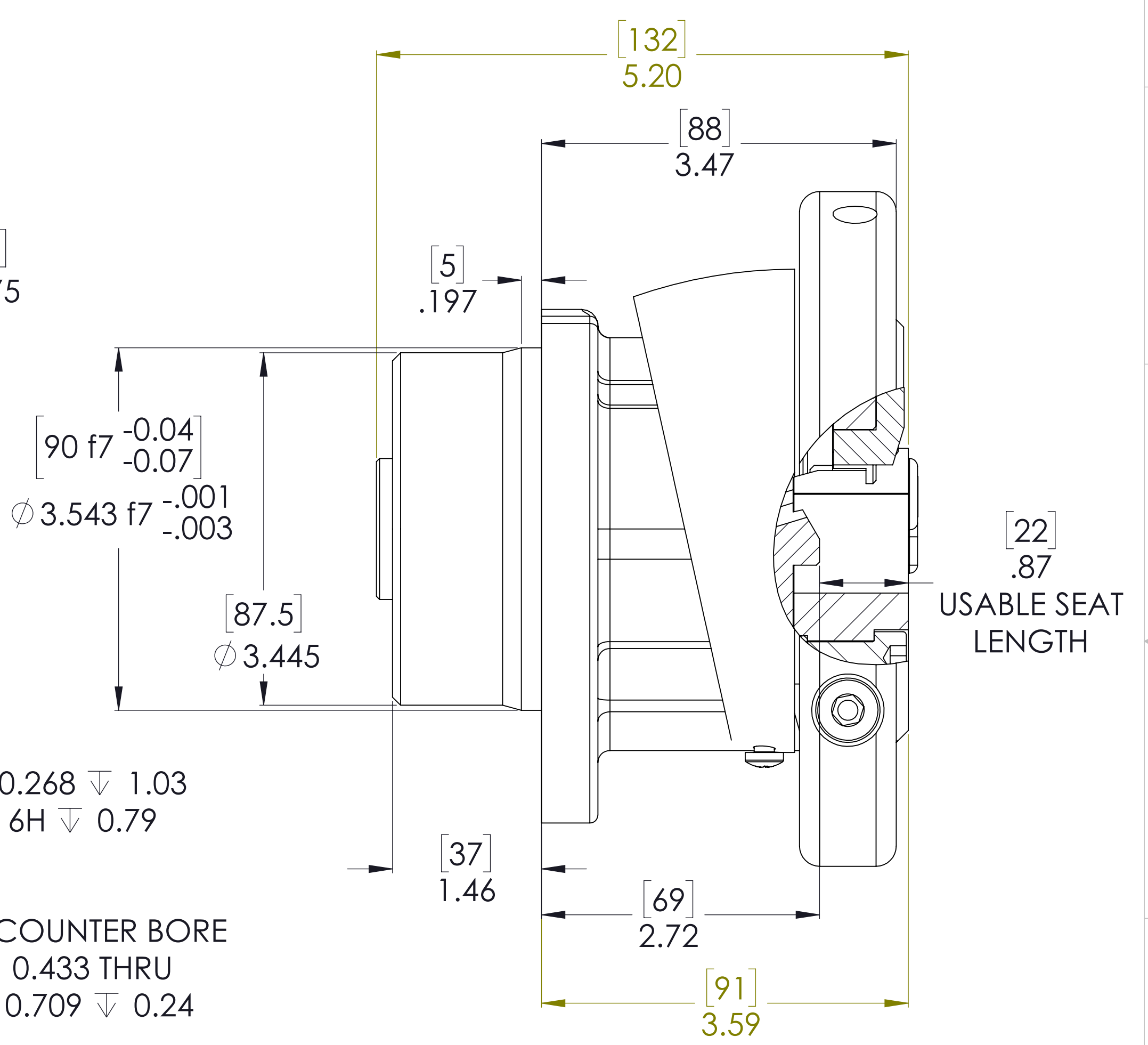
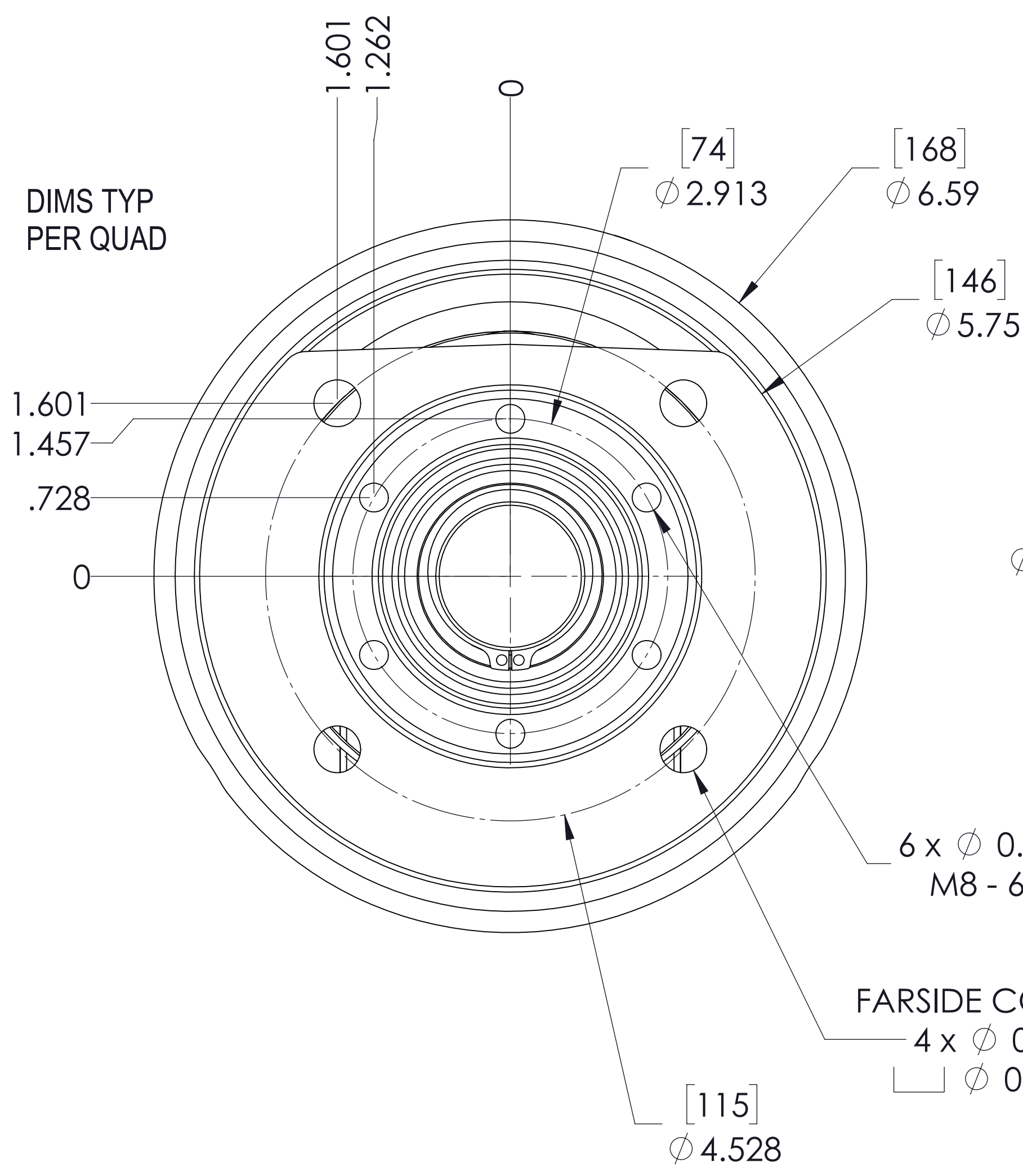
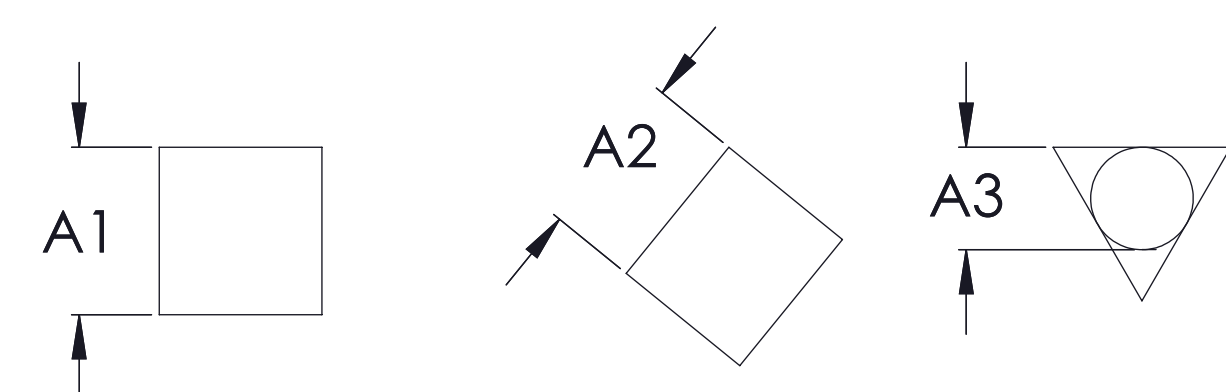


REVISIONS				
ZONE	REV.	DESCRIPTION	DATE	APPROVED
	-			



6 x  $\phi$  0.268  $\nabla$  1.03  
M8 - 6H  $\nabla$  0.79

FAR SIDE COUNTER BORE  
4 x  $\phi$  0.433 THRU  
 $\square$   $\phi$  0.709  $\nabla$  0.24



STANDARD JOURNAL SEAT TYPES								
A1	MIN	MAX	A2	MIN	MAX	A3	MIN	MAX
	3/4	1 1/4		3/4	1 1/4		.787	1.181
	20	30		20	30		20	30

ALL DIMENSIONS INCH UNLESS OTHERWISE SPECIFIED  
METRIC TOLERANCES PER ISO 2768-F  
DEBURR AND BREAK ALL SHARP EDGES  
PROPRIETARY AND CONFIDENTIAL

UOS: .00 =  $\pm$  .01  
UOS: .000 =  $\pm$  .005  
UOS: .0000 =  $\pm$  .0005  
UOS: DRAFT ANGLE = 3°  
UOS: ANGULAR: =  $\pm$  1/2°  
UOS: FRACTIONAL: =  $\pm$  1/64  
UOS: FINISH = AS SHOWN

© 2021 **montalvo**  
Better Web Control®  
The Montalvo Corp, 50 Hutcherson Drive Gorham, ME 04038  
info@montalvo.com 1-800-266-8710

TITLE: G2 CHUCH 1000-FN-OW  
DRAWN BY: JMC  
CHK BY: CAO  
DATE: 4/19/2021

SIZE: C  
Prt No.: 13009006  
SCALE: NONE

TAR:   
REV: -

SHEET 1 OF 1